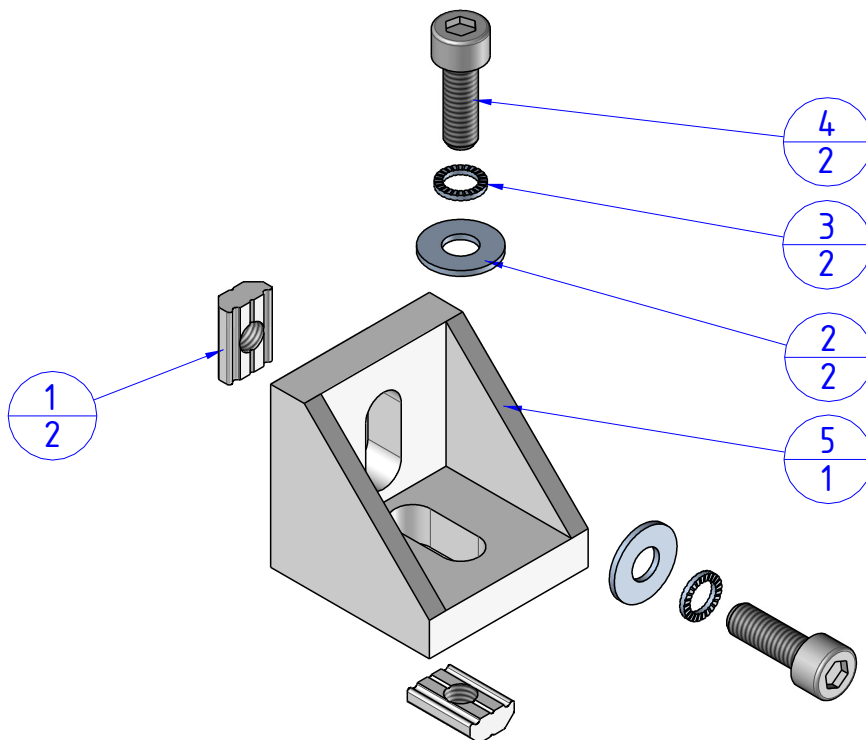
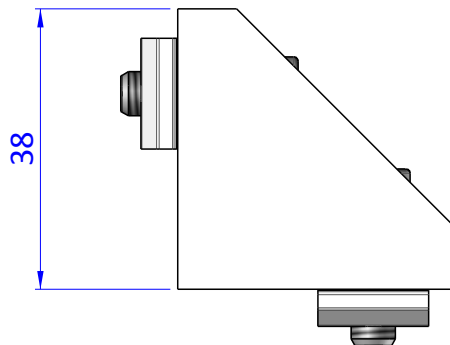
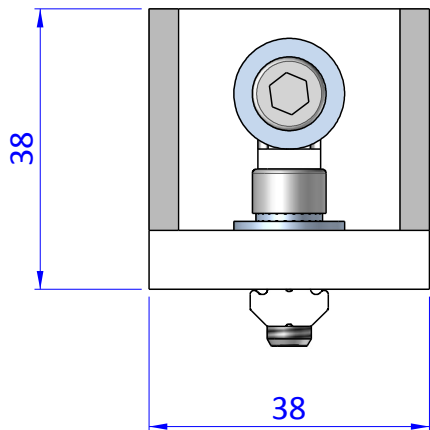


THE PROPERTY OF THE DRAWING IS ESTABLISHED BY LAW. IT IS FORBIDDEN TO PRODUCE OR SHOW IT TO THIRD PART. WITHOUT A WRITTEN AGREEMENT.

| Item | Name        | Q.ty |
|------|-------------|------|
| 1    | CA.GWP.6U   | 2    |
| 2    | R.6.L       | 2    |
| 3    | R.6.SCH     | 2    |
| 4    | V.TCE6x18   | 2    |
| 5    | WIV.JU.40.E | 1    |



|                                    |   |  |                                   |  |                                     |                    |
|------------------------------------|---|--|-----------------------------------|--|-------------------------------------|--------------------|
| <b>Format</b> A4<br><br>UNI 936-76 |   |  |                                   |  | DESIGNED FROM<br><b>FP SERVICES</b> | REVIEW<br><b>A</b> |
|                                    | GENERAL TOLERANCE<br>UNI - ISO 2768<br>CLASSE f |  | DESCRIPTION<br><br>CA.WIV.JU.40.E |  | DATE<br>30/04/2016                  | WEIGHT<br>0,068kg  |
|                                    |   |  |                                   |  | CODE<br><b>CA.WIV.JU.40.E</b>       |                    |